

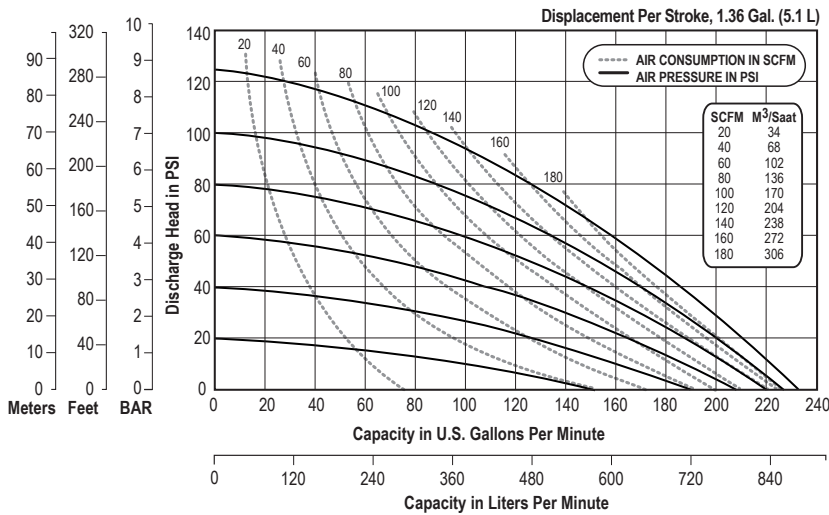
E3 DATA SHEET

SPECIFICATIONS & PERFORMANCE

3" Clamped Metal – ATEX

with Metal Center Section

PERFORMANCE



NOTE: Performance based on the following: elastomeric fitted pump, flooded suction, water at ambient conditions. The use of other materials and varying hydraulic conditions may result in deviations in excess of 5%.

SPECIFICATIONS

Flow Rate

Adjustable to . . .0-234 gpm (886 lpm)

Port Size

Suction 3" NPT (BSP)

Discharge 3" NPT (BSP)

Air Inlet 1/2" NPT

Air Exhaust 1" NPT

Suction Lift

Dry 20' (6.1 m)

Wet 32' (9.8 m)

Max Solid Size (Diameter)

. 3/8" (9.5 mm)

Max Noise Level 96 dB(A)

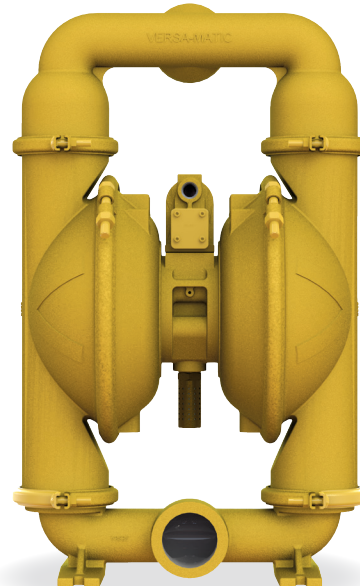
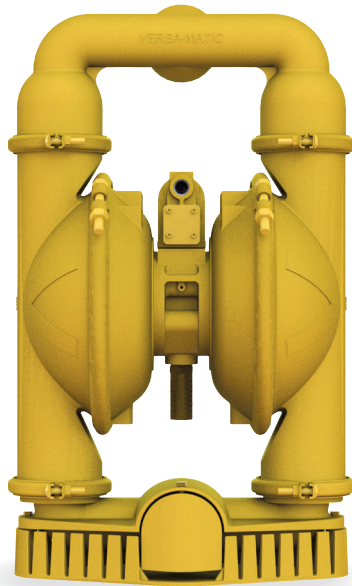
Shipping Weights

Aluminum 108 lbs (49.0 kg)

Cast Iron 205 lbs (93 kg)

Stainless 183 lbs (83 kg)

** Stainless Center add 50 lbs. (22.7 kg)



VERSAMATIC®

Warren Rupp, Inc. | A Unit of IDEX Corporation
 800 North Main Street | Mansfield, OH 44902 USA
 Phone: 419.526.7296 | Fax: 419.526.7289

VERSAMATIC.COM

e3mdlCdsATEXC-rev0519

©Copyright 2019 Warren Rupp, Inc. All Rights Reserved.

E3 DATA SHEET

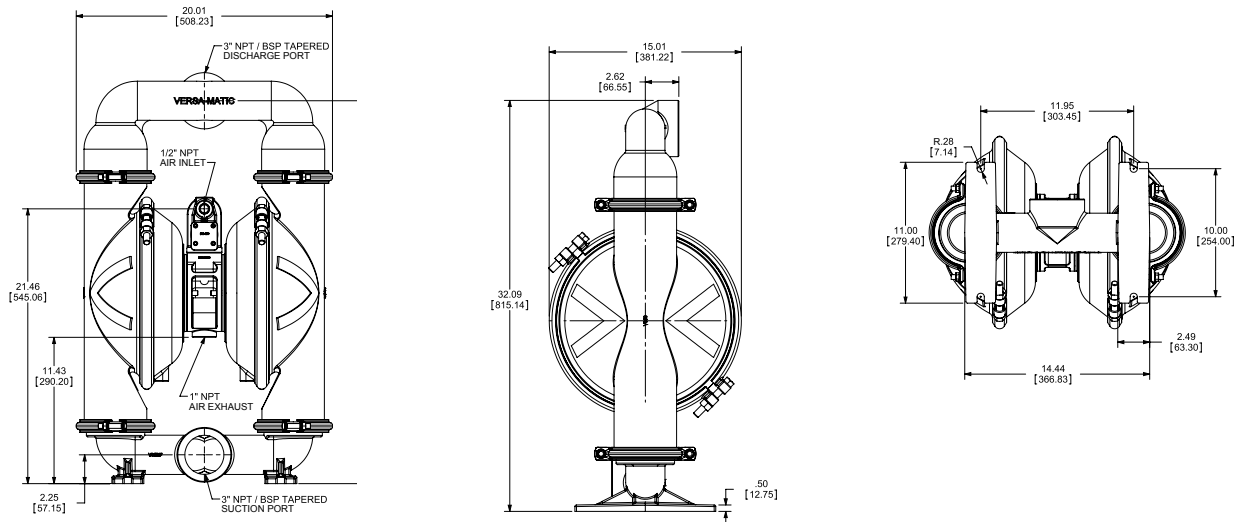
SPECIFICATIONS & PERFORMANCE

3" Clamped Metal – ATEX with Metal Center Section

DIMENSIONS

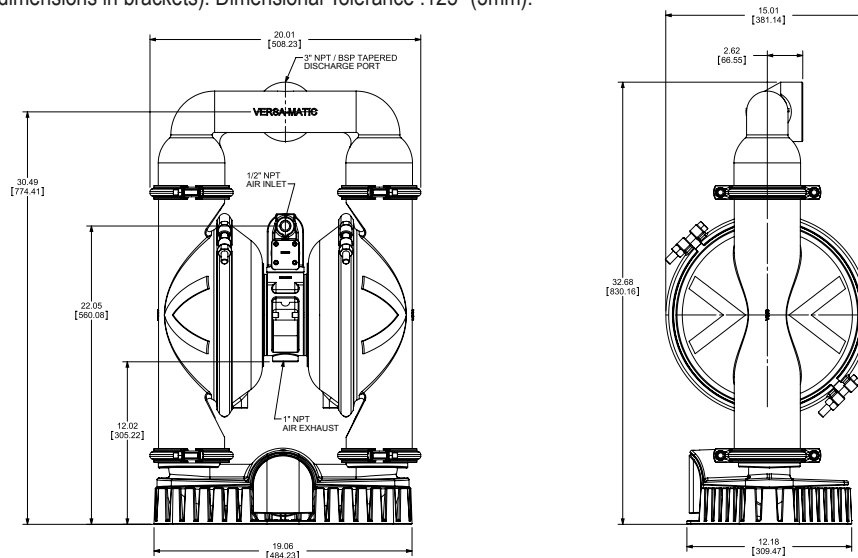
E3 Clamped Metal - Aluminum

Dimensions in inches (metric dimensions in brackets). Dimensional Tolerance .125" (3mm).



E3 Clamped Metal - Aluminum with Base

Dimensions in inches (metric dimensions in brackets). Dimensional Tolerance .125" (3mm).



VERSAMATIC®

Warren Rupp, Inc. | A Unit of IDEX Corporation
800 North Main Street | Mansfield, OH 44902 USA
Phone: 419.526.7296 | Fax: 419.526.7289

VERSAMATIC.COM

e3mdlCdsATEXC-rev0519

©Copyright 2019 Warren Rupp, Inc. All Rights Reserved.

E3 DATA SHEET

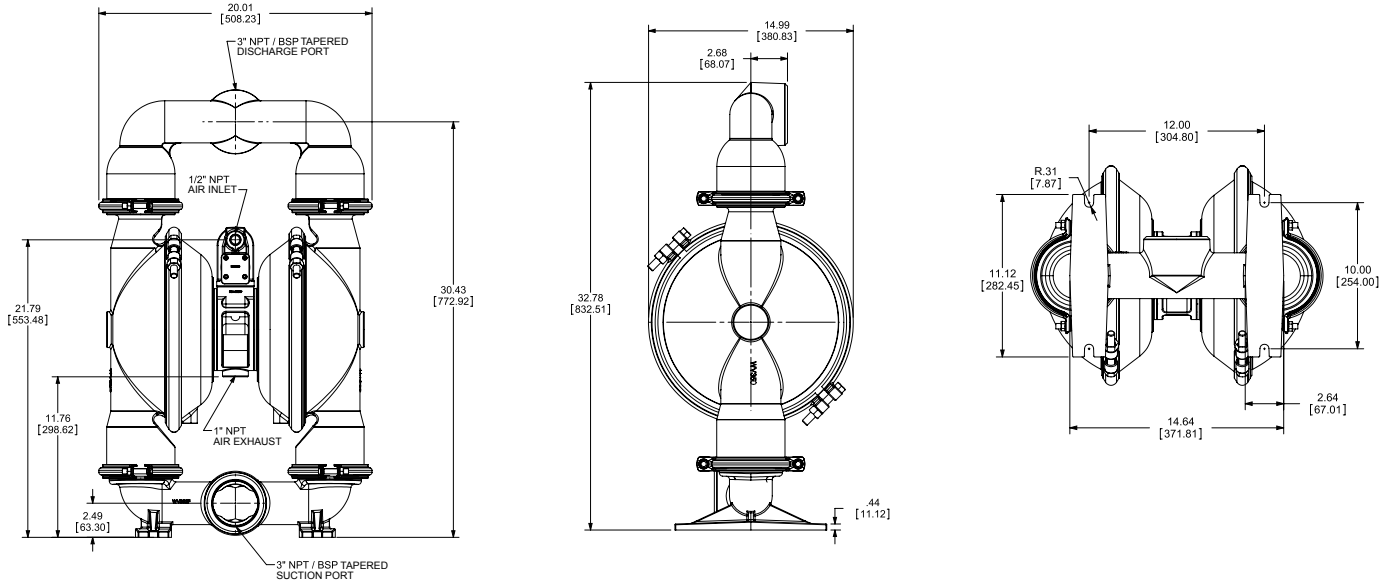
SPECIFICATIONS & PERFORMANCE

3" Clamped Metal – ATEX with Metal Center Section

DIMENSIONS

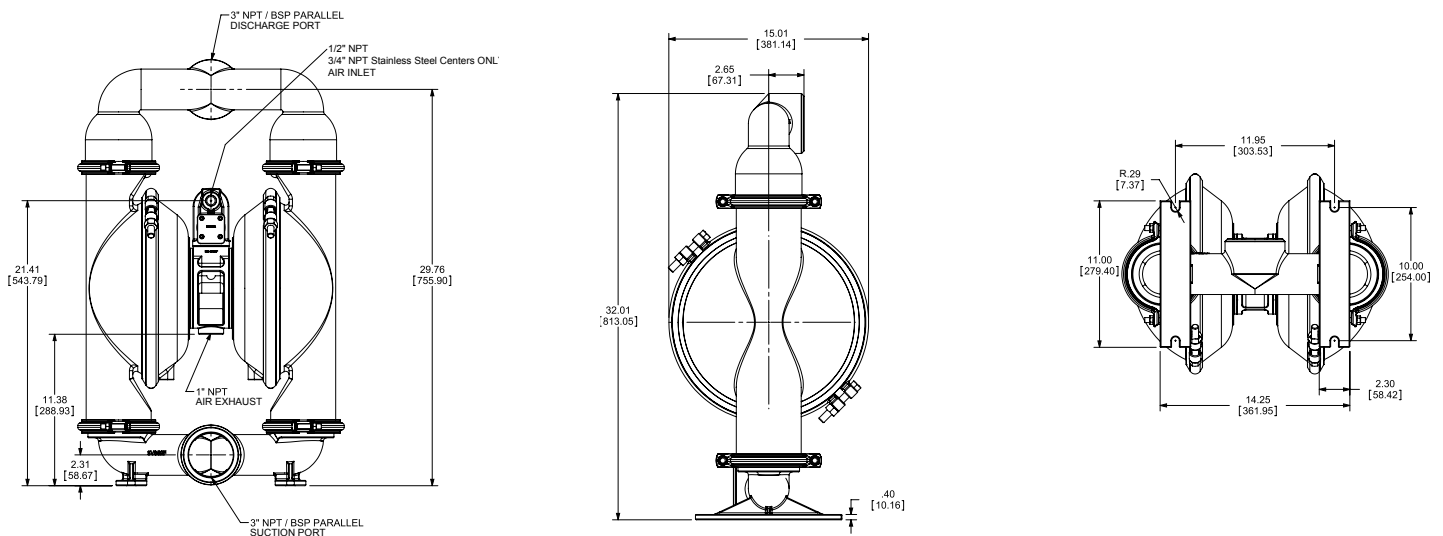
E3 Clamped Metal - Cast Iron

Dimensions in inches (metric dimensions in brackets). Dimensional Tolerance .125" (3mm).



E3 Clamped Metal - Stainless Steel

Dimensions in inches (metric dimensions in brackets). Dimensional Tolerance .125" (3mm).



VERSAMATIC®

Warren Rupp, Inc. | A Unit of IDEX Corporation
800 North Main Street | Mansfield, OH 44902 USA
Phone: 419.526.7296 | Fax: 419.526.7289

VERSAMATIC.COM

e3mdlCdsATEXC-rev0519

©Copyright 2019 Warren Rupp, Inc. All Rights Reserved.